

## ATDDC4 Digital Wall Clock

### Features

- Upon power up, the clocks automatically synchronize to the Airtime Transceiver(s) (sold separately) immediately upon receiving a radio signal.
- The clocks' radio receivers then listen for synchronization signals continuously throughout the 24 hours.
- Following 2AM and thereupon receiving a time transmission from an ATX-series transceiver, the clocks advance one hour for spring daylight saving change on second Sunday of March, and regress one hour for Fall DST on first Sunday of November..
- AC power is required to operate the display (no batteries). The ATDDC4 requires 120vAC. (24vAC Optional)
- Available in 4 digit (HH:MM) and 6 digit (HH:MM:SS) models
- Two keyholes and two separate holes are provided on back panel for wall mounting. All hardware is provided for most installations.
- Options for single mount, double ceiling mount and double wall mount.
- Clocks comply with part 15 of the FCC rules and are UL Listed.
- Made in USA



### Operation

During normal operation, upon receiving a radio signal, the clock will automatically advance to the time of the signal and continue timekeeping. The clock continuously listens for signals throughout the day and updates its internal clock if needed.

### Physical

Clocks consist of 4 or 6-digit LEDs, formats available are 4 digit (HH:MM) or 6 digit (HH:MM:SS). Both have hours (1-12 or 00-23) and minutes (00-59) with separating colons. The 6 digit offers the seconds in 2" LED's. All LED's are illuminated behind an attractive red Plexiglas contained in an all metal housing.

An AC Power Cord is provided.

### Warranty

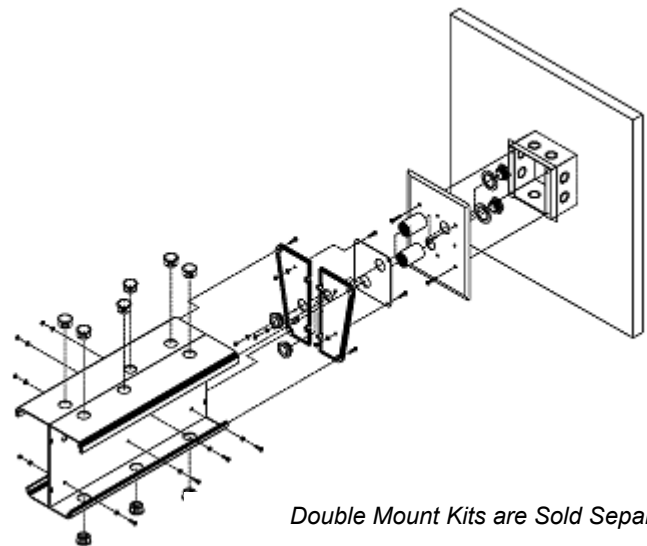
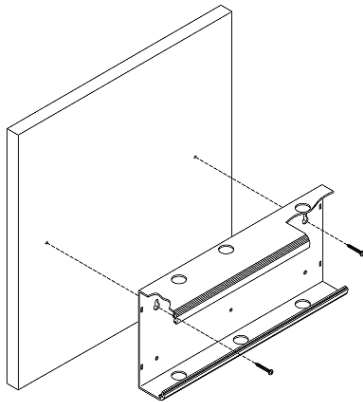
One year limited warranty on defects in material or workmanship.

**Specifications**

Digital Clocks .....	ATDDC4	ATDDC4 (Double Mount)
Characters .....	HH:MM	HH:MM
With 6 Digit Option.....	HH:MM:SS	HH:MM:SS
Character Height HH:MM .....	4"	4"
Character Height on 6 Digit Option:SS.....	2"	2"
Input Power.....	120vAC	120vAC
Optional Input Power .....	24vAC	24vAC
Power Cord Length.....	6FT	n/a
Dimensions (W x H x D) .....	15.5 x 6.8 x 3.3"	15.5 x 6.8 x 6.6"
Weight.....	9 lbs.	18 lbs.
Operating Temperature .....	0 ~ 65°C	0 ~ 65°C
Operating Humidity .....	95% Relative Humidity (non-condensing)	
LED color options .....	RED	RED

**Surface Mounting**

**Double Face Mounting – wall or ceiling  
(wall mount shown)**



*Double Mount Kits are Sold Separately*

SAM0625  
SAM0626

DDC4 Double Mount Wall Kit  
DDC4 Double Mount Ceiling Kit



**Lathem**  
200 Selig Drive, SW  
Atlanta, Georgia 30336  
(800) 241-4990 | [www.lathem.com](http://www.lathem.com)