

For AC models make sure AC power is OFF prior to starting the installation process. When wiring clocks, polarity is not a factor. Apply power only after installation is complete.

15 inch Model Instructions (Illustration applies to ceiling mount)

1. Attach the wall box (Fig. 3, #3) (If installing AC models route AC supply wires through the box)
2. Remove (3) #6/32 screws (Fig 3, #1)
3. Apply Power
 - a. For battery models pull back either one of the access panels (Fig. 3, #2) and install 2 CR123A batteries in each clock and press the Reset button on each clock.
 - b. For AC models connect wires of AC supply to the AC plug. Pull back either one of the access panels (Fig. 3, #2) and press the Reset button on each clock.
4. Reinstall the access panel with (3) #6/32 screws (Fig 3, #1)
5. Attach box adaptor plate to wall box with (4) #8-32 x 1" screws (Fig 3, #4) (If installing AC models route AC supply wires through center coupler)
6. Press the Transmit (TRNS) button on the Master and allow the clocks to correct.

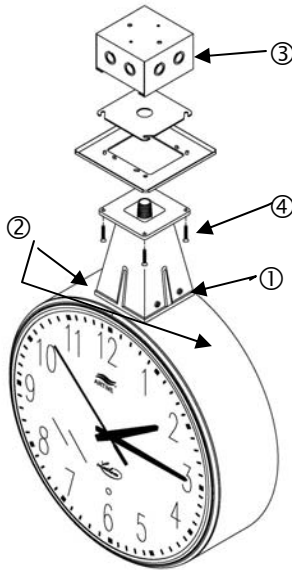


Figure 3: 15 inch Double Mount Installation



Double Mount Installation

For 12 and 15 inch Models



LATHEM

For AC models make sure AC power is OFF prior to starting the installation process. When wiring clocks, polarity is not a factor. Apply power only after installation is complete.

12 inch Model Instructions

1. The illustrations shown apply to wall mount applications. For ceiling mount applications, install spring clips (Fig 1, #1) at 6 o'clock position and screws (Fig. 1, #2) at 12 o'clock position.
2. Install wall box (Fig. 1, #3)
 - a. For battery models attach box adaptor plate (Fig 1, #4) to wall box with (4) #8-32 x 1" screws (Fig 1, #5).
 - b. For AC models route the AC supply wires through one of the couplings and attach box adaptor plate (Fig 1, #4) to wall box with (4) #8-32 x 1" screws (Fig 1, #5).
3. Attach case assembly to couplings with recessed flanged washers (Fig. 1, #6) and chase nipples (Fig. 1, #7). Tighten all components securely.

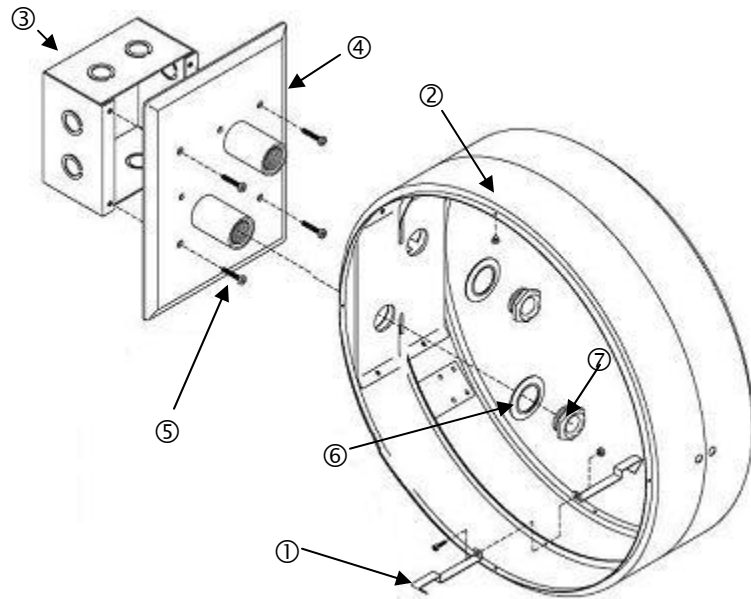


Figure 1: 12 inch Double Mount Assembly

4. Apply Power

Hang one clock on the screw located at the 12 o'clock position (Fig. 2, #1) and snap clock into place.

- a. For battery models install 2 CR123A batteries in each clock and press the Reset button on each clock.
- b. For AC models connect wires of AC supply to each clock using wire nuts and press the Reset button on each clock.

5. Hang the second clock on the screw located at the 12 o'clock position (Fig. 2, #1) and snap clock into place.
6. Once the clocks are in place, install a #4 x 1/4" screw in each clock at the 3 o'clock or 9 o'clock position (Fig. 2, #2) in the outside case for additional security.
7. Press the Transmit (TRNS) button on the Master and allow the clocks to correct.

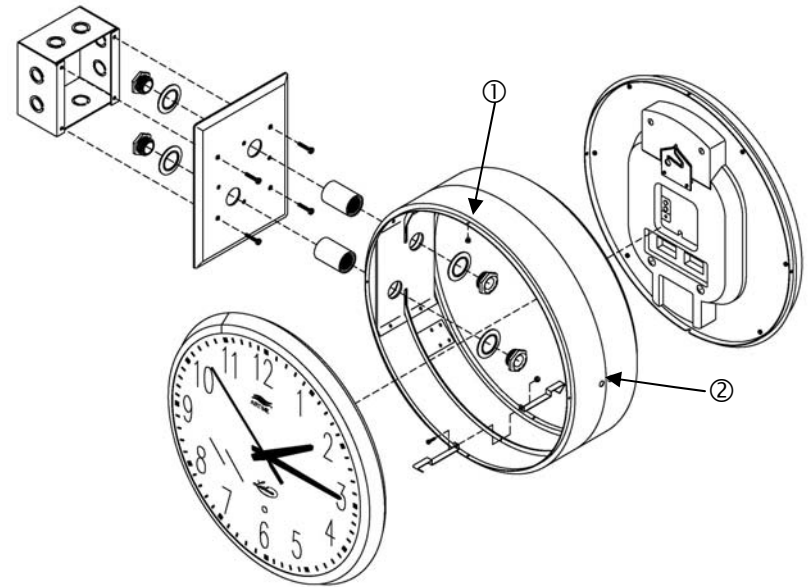


Figure 2: 12 inch Double Mount Installation

NOTE: To remove clocks from the assembly, remove the screw at the 3 or 9 o'clock position. Insert a straightened paper clip into the hole at the 6 o'clock position. Depress spring to release clock for removal.