

ATX6 Master Transceiver

Features

- Powerful 6 watt radio transmitter covers 500 foot radius (over 200,000 sq. ft.) indoors (depending on building structure) and one mile outdoors (depending on terrain)
- Transmits AirTime radio signals every minute
- Provisions to transmit AT and RC signals on alternating minutes for mixed RC and AT clock systems
- Internal real time clock provides accuracy of +/-2 minutes per year and automatic Daylight Saving Time corrections
- Atomic accurate input options: synchronize to NIST atomic clock receiving signals via WWVB (requires ATX) or GPS (requires ATX-GPS)
- Time zone selection feature correctly offsets hour when synchronizing to NIST atomic clock
- Provisions to correct with LAN via Ethernet or other AT transceivers via radio signals
- Internal dry contact allows time synchronization (send or receive) with external systems (ex. intercom, wired master controls)
- RS485 input or output port allows synchronization with other Lathem devices (signal controls or wired clock systems)
- Separate FCC licensing of user installation is required



Operation

During normal operation: Every minute, the ATX6 transmits radio signals (indicated by UHF LED flashing once) and transmits the RS485 protocol (if RS485 input is not selected). If setup to do so, the ATX6 will close the internal or remote relay once per day at the designated time. ATX6 listens four times daily for signals from devices selected as time reference sources and will synchronize its real time clock to that source whenever such a signal is received.

During power failures, the display extinguishes and the real time clock continues keeping time. When power resumes, the correct time appears on the display.

Physical

A three button keypad is password protected and allows initial setup. The LCD display and four (4) LEDs on front panel provide user feedback. LEDs indicate when signals are received or transmitted. An AC power cord is provided. The UHF antenna with a 13 foot cable attaches to BNC connector on the case top. Enclosure is metal. Ports provided on the case bottom panel for connecting computers, GPS antenna, RS485 devices, or devices synchronized by dry contact closure. Lithium coin cell battery allows uninterrupted timekeeping during power failures.

Specifications

- Maximum Transmission Power 6 watts
- Radio Frequency 452 MHz
- Channels Available 80 (8x10)
- Radio Signal Transmission Occurs Every minute
- Daylight Savings Option Yes
- Time Zone Options 24
- Power Supply Input..... 90 - 250VAC
- Power Supply Output..... 12VDC, 40 watts
- Dimensions 5.2" wide x 9.0" high x 3.2" deep
- Weight..... 3.8 lbs
- Operating Temperature 0 ~ + 50'C

Made in USA

FCC Part 15 and Part 90 Compliant

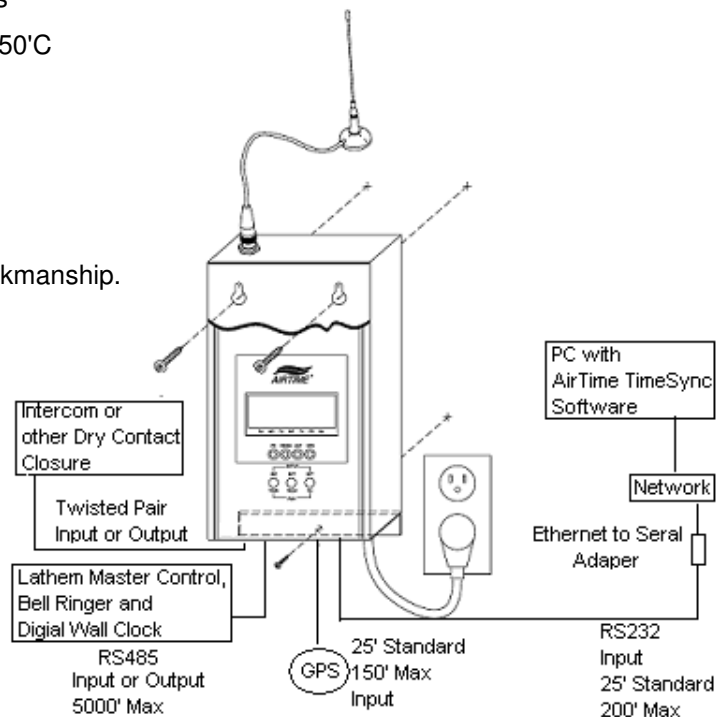
UL Listed

Warranty

One year limited warranty on defects in material or workmanship.

Ordering Information

Part	Description
ATX6	Transceiver, 6 Watts
ATX-GPS	GPS receiver, w/ 25' cable
GPS100X	100' extension cable for ATX-GPS
GPS50X	50' extension cable for ATX-GPS
ATSYNC-KIT	Ethernet Time Sync Kit
AT-MSX	Wireless Master Sync Device



Lathem
 200 Selig Drive, SW
 Atlanta, Georgia 30336
 (800) 241-4990 | www.lathem.com

Copyright © 2009 Lathem Time Corporation. All rights reserved. Information believed to be accurate at time of printing, but is subject to change without notice. Lathem, AirTime, and their respective logos are registered trademarks of Lathem Time Corporation.