

ATDDC4 Digital Wall Clocks

Features

- Upon power up, the clocks automatically synchronize to the Airtime Transceiver(s) immediately upon receiving a radio signal.
- The clocks' radio receivers then listen for synchronization signals continuously throughout the 24 hours.
- Following 2AM and thereupon receiving a time transmission from an ATX-series transceiver, the clocks advance one hour for spring daylight saving change on second Sunday of March, and regress one hour for Fall DST on first Sunday of October.
- Two buttons on the front panel provide user setup.
- AC power is required to operate the display (no batteries). The ATDDC4 requires 115vAC. The ATDDC4-24 requires 24vAC.
- Two keyholes and two separate holes are provided on back panel for wall mounting. All hardware is provided for most installations.
- Options for single mount, double ceiling mount and double wall.
- Clocks comply with part 15 of the FCC rules and are UL Listed.
- Made in USA



Operation

During normal operation, upon receiving a radio signal, the clock will automatically advance to the time of the signal and continue timekeeping. The clock continuously listens for signals throughout the day and updates its internal clock if needed.

Physical

Clocks consist of 4-digit LEDs, format (HH:MM) with hours (1-12 or 00-23) and minutes (00-59) with separating colons. LEDs illuminate behind an attractive red Plexiglas contained in an all metal housing.

An AC Power Cord is provided.

Warranty

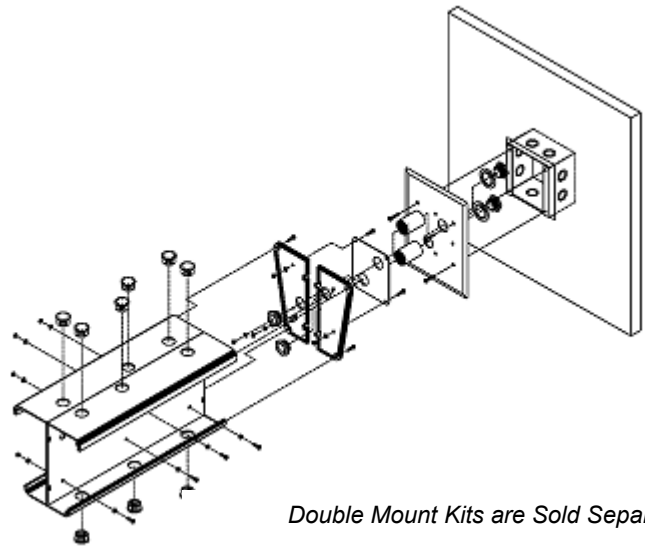
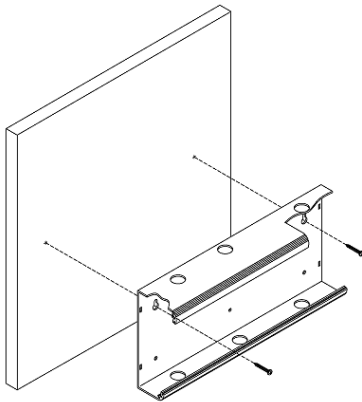
One year limited warranty on defects in material or workmanship.

Specifications

Digital Clocks	ATDDC4	ATDDC4 (Double Mount)
Characters	HH:MM	HH:MM
Character Height HH:MM	4"	4"
Input Power.....	24/115	24/115
Input current for 115vAC	80mA (typical)	160mA (typical).
Input current for 24vAC	400mA (typical)	800mA (typical).
Power Cord Length.....	6FT	n/a
Dimensions (W x H x D)	15.5 x 6.8 x 3.3"	15.5 x 6.8 x 6.6"
Weight.....	9 lbs.	18 lbs.
Operating Temperature	0 ~ 65°C	0 ~ 65°C
Operating Humidity	95% Relative Humidity (non-condensing)	
LED color options	RED	RED

Surface Mounting

**Double Face Mounting – wall or ceiling
(wall mount shown)**



Double Mount Kits are Sold Separately

SAM0625
SAM0626

DDC4 Double Mount Wall Kit
DDC4 Double Mount Ceiling Kit



Lathem
200 Selig Drive, SW
Atlanta, Georgia 30336
(800) 241-4990 | www.lathem.com