

Wireless Solar Analog Wall Clock

Features

- Solar powered by room's interior lights
- Supplemental battery for low light conditions
- Internal light meter with LED indicates lighting level in room at installed location
- Wireless time synchronization
- Internal UHF radio receiver for signal reception
- Automatic Daylight Saving Time adjustment
- "Plug & Play" installation – no manual setting required
- Continuous motion smooth sweeping second hand
- Sturdy impact resistant plastic case
- High quality glass crystal
- FCC Part 15 Compliant



Patent Pending

Operation

When turned on, the clock listens for an AirTime radio synchronization signal. A green LED on the front face of the clock flashes every two (2) seconds until a signal is received. After signal reception, the green LED flashes every second and the clock sets itself to the correct time, after which the LED will discontinue flashing.

In typical office lighting (320-500 lux), the clock's movement operates on solar power alone. Eight hours of typical office lighting provides approximately 7 days of clock power from the solar panels and extends the life of the lithium battery that is required for periodic reception of the synchronizing radio signal. In low-light conditions (under 320 lux), the clock utilizes both the solar panels and supplementary battery.

During normal operation the clock listens for a wireless synchronization signal twelve (12) times per day on even hours at the 58th minute between the 50th and 59th second. The clocks remain synchronized with the transceiver(s) within 1 second. A sweeping second hand moves with smooth, continuous motion. A minute hand advances 1/6th of a minute every 10 seconds. The hour hand advances 1/60th of an hour every minute.

During a correction cycle (i.e., at time of startup or during Daylight Saving Time adjustment) the second hand stops at 00 seconds, the minute hand advances at a rate of one rotation per minute, and the hour hand advances one hour per minute. This rapid advance process continues past the 12 o'clock hour and then until the clock reaches the time of the transceiver. Then the clock resumes normal operation. Time on the clock can be set manually using a button located on the back of the case.

Verification of signal reception can be achieved by pressing a button located on the back of the case. If a signal was received successfully within the previous 72 hours, then the LED indicator on the front face of the clock will flash green. If signal reception was not achieved then the LED indicator will flash red.

Physical

Surface Mount Clocks - Case consists of impact resistant black plastic outer ring and glass crystal. The clock face consists of a 12 inch diameter white dial with gray solar panel masking, black numbers and tick marks, with black metal hour and minute hands and a red metal second hand. Movement and radio receiver are contained in an impact resistant plastic back enclosure, with an affixed maze style slot hanger.

Double Face Clocks – Each unit consists of two 12” separate single face surface clocks affixed to a separate metal double dial ring that mounts to the wall.

Specifications

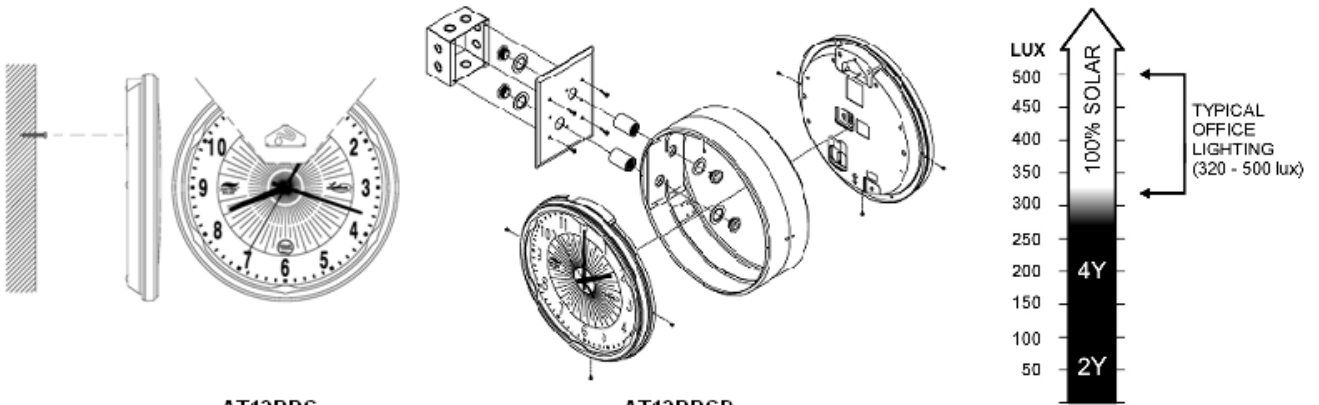
Model	Description	Dial Diameter	Case Diameter	Projection from Wall	Hanger Offset from Center	Shipping Weight	Country of Origin
AT12RPS	12” Solar Plastic	12.12”	13.00”	2.10”	5.80”	3.98 lbs.	China
AT12RPSD	12” Solar Plastic Double Wall Mount	12.12”	13.00”	14.75	8.00”	18.00 lbs	China

Supplemental Battery Lithium CR123A x 1 (included)

Battery Life (approximate) 5.6 years

Warranty

One year limited warranty on defects in material or workmanship.



AT12RPS
AT12RPS with Maze Slot Hanger

AT12RPSD
AT12RPSD Double Wall Mount

Supplemental Battery Life Based on Room LUX Level (Avg. 8 hrs/day)



Lathem
200 Selig Drive, SW
Atlanta, Georgia 30336
(800) 241-4990 | www.lathem.com

Copyright © 2009 Lathem Time Corporation. All rights reserved. Information believed to be accurate at time of printing, but is subject to change without notice. Lathem, AirTime, and their respective logos are registered trademarks of Lathem Time Corporation.